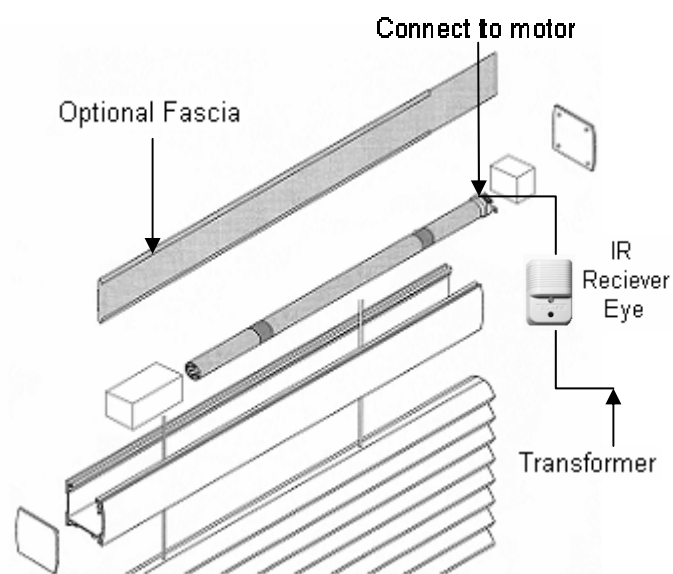


Thank you for choosing Parasol™ Elektrum Motorized Cellular Shades. With proper installation and care, your new Parasol shades will provide many years of beauty and performance.

Getting Started

- Remove the Parasol™ Elektrum shade from the package. Keep all packaging until the shade is fully installed and functioning properly.
- The diagram below illustrates the motor assembly system that fits inside the headrail.






Installation Tools

- Measuring Tape
- Power Drill, 1/4" Hex or Phillips Driver, and Drill Bits
- Flat Blade Screwdriver
- Phillips Screwdriver
- Scissors
- Carpenter's Level
- Pencil
- Needlenose Pliers



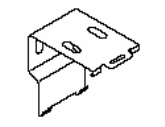
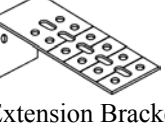
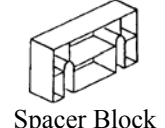
The following chart indicates the required fastener to use for the various mounting surfaces.

Mounting Surface	Required Fastener
Wood	No. 6 Hex Head Screws (Provided) 
Metal	Sheet Metal Screws (Not Provided) 
Drywall, Plaster	Wall Anchors, Expansion Bolts (Not Provided) 

Inside and outside window mounts will include 3/4" installation brackets. Extension brackets and spacer blocks are optional and are available upon request.

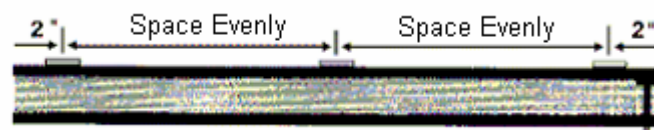
1 Mount the Installation Brackets

Bracket Requirements

Bracket Type	Brackets Required For Headrail Width				
	Up to 38"	39" to 72"	73" to 106"	107" to 140"	141" to 174"
 3/4" Installation Bracket	2	3	4	5	6
 Extension Bracket (Optional)					
 Spacer Block (Optional)	1-3 per bracket				

Bracket Placement

- The diagram below shows the bracket placement for both inside and outside window mounts.

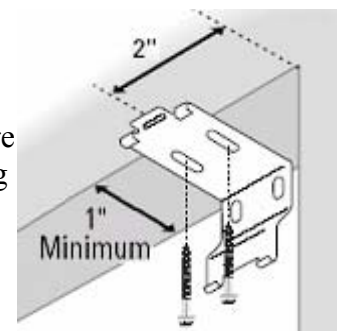


- The center of the end brackets must be marked on the mounting surface 2" from the ends of the headrail.
- Remaining brackets should be spaced evenly between the end brackets.
- Adjust the bracket placement to avoid any obstructions that may occur.

Inside Mount Applications

The depth required for a fully recessed inside mount is 2-1/8". The minimum depth for an inside mount is 1".

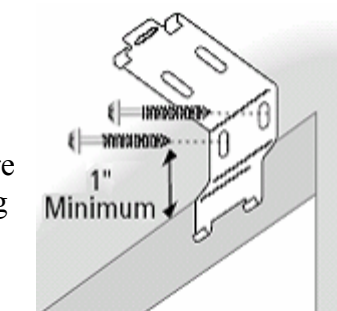
- Center each bracket over a mark on the mounting surface.
- Make sure the brackets are level and aligned by using a carpenter's level. Then attach using two screws.



Outside Mount Applications

The minimum mounting height for outside mounted shades is 1".

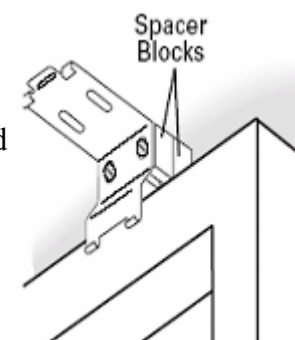
- Center each bracket over a mark on the mounting surface.
- Make sure the brackets are level and aligned by using a carpenter's level. Then attach using two screws.



Spacer Blocks (Optional)

Each spacer block projects brackets 1/2" away from the mounting surface.

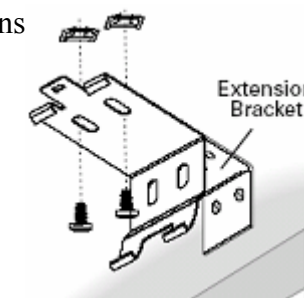
- Install spacer blocks with the solid side facing the mounting surface.
- Two mounting screws should be used and should be long enough to secure the bracket to the mounting surface.
- A maximum of three spacer blocks can be used.



Extension Brackets (Optional)

Extension brackets project installation brackets up to 2 1/2" away from the mounting surface. This allows for additional clearance for obstructions.

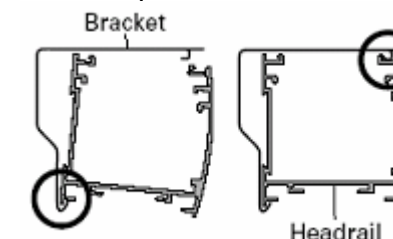
- Use pliers to break along the indentation if the extension bracket needs to be shortened.
- Make sure the brackets are level and aligned by using a carpenter's level. Then attach using two screws.



Note: You must attach each installation bracket to the same holes on all extension brackets in order to obtain the same projection from the wall all the way across.

2 Install the Shade

- Shade must be in the up position.
- Refer to the picture below. The colored side of the shade must be facing you. Insert the headrail at an angle so that the back tab fits into the installation bracket. Push up on the headrail to snap into place.



Note: Make sure that no material is caught in the installation bracket.

- Plug the transformer into an electrical outlet.

3 Operating Procedures

Note: **The shade has already been programmed at the factory**

IR REMOTE OPERATING PROCEDURES

- Aim any remote at the receiver to be operated.
- For the 8-Channel Remote:** Press the button corresponding to the desired channel (1, 2 ... 8)
- Quickly press and release the UP button on either the single channel or 8-channel remote to move the shade up. Quickly press and release the DOWN button to move the shade down. **Note: Depressing and holding the UP or DOWN buttons will cause the shade to jog for fine adjustment.**
- To stop the shade at any time, press the CENTER button in-between the UP and DOWN buttons.
- If programming must be done to the 8-Channel remote, proceed to section **6 Programming Instructions For 8-Channel Remote.**

4 Level the Shade

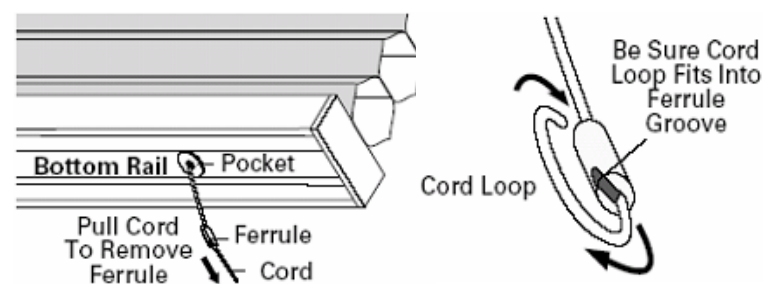
The shade is leveled at the manufacturing stage, however, if the shade is not level in the window it is in, use the following steps to level the shade.

Bottom Rail Level Adjustment

Adjustments to level the bottom rail can be made by adjusting the cord on the underside of the bottom rail.

- Pull the cord to remove the ferrule from the pocket.
- Loosen the cord on the ferrule.

- Slide the ferrule up or down until the bottom rail is level.
- Tighten the cord on the ferrule.
- Push the ferrule back into the pocket.



5 Adjusting the Lower/Upper Limits

To set the lower limit: Inside the headrail, there is a yellow limit switch on the motor. Press this in and go to the new lower limit with the remote. Release the yellow switch to set the limit and proceed to set the upper limit.



To set the upper limit: Press the black limit switch on the motor inside the headrail. Go to the new upper limit using the remote. Finally, release the black switch to set the limit.



6 Programming Instructions For 8-Channel Remote

- **IMPORTANT: The remote MUST be aimed as close as possible to the receiver being programmed to prevent interference with other receivers.**
- **These instructions are to program channels on the 8-channel remote. To switch from the 8-channel to the single channel remote, read further.**
- **If you are currently using a single channel remote, no programming is necessary!**

TO ENTER PROGRAMMING MODE:

- Press and hold the “PROG” key for about 5 seconds. The shade will begin to cycle up and down.

TO EXIT PROGRAMMING MODE:

- Press the “PROG” key. The shade will stop cycling up and down.

TO CANCEL A SETTING

- Press the “PROG” key before confirming the setting.

ASSIGNING A CHANNEL

- Enter programming mode. The shade will begin to cycle up and down.
- Press the “1” button on the transmitter. The shade will stop cycling.
- Press the key corresponding to the desired channel. (1, 2 ... 8).

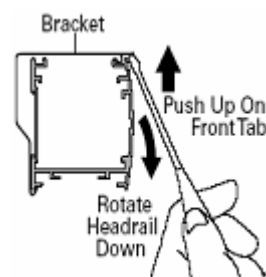
The channel is now assigned to the receiver. The shade will then start to cycle up and down. Proceed to assign more channels or press the “PROG” key to exit programming mode.

ABOUT THE SINGLE CHANNEL REMOTE

- The single channel remote requires no programming. All that is needed is to press the up, down, or the center button for stop.
- Use the following steps to switch from an 8-channel remote to a single channel remote:
- Enter programming mode by pressing the “PROG” button. The blind should begin to cycle up and down.
- Press the “8” key. The shade should stop cycling.
- Press the “1>8” key to confirm.
- Press the “PROG” button to exit programming mode.
- The 8-channel remote is now deactivated and the single channel remote can now be used.

7 Removing the Shade

- Lower the shade about 4”.
- Using a flat blade screwdriver, push up on the front tab of the bracket to release the front of the headrail.
- Rotate the headrail downward and out from the bracket.

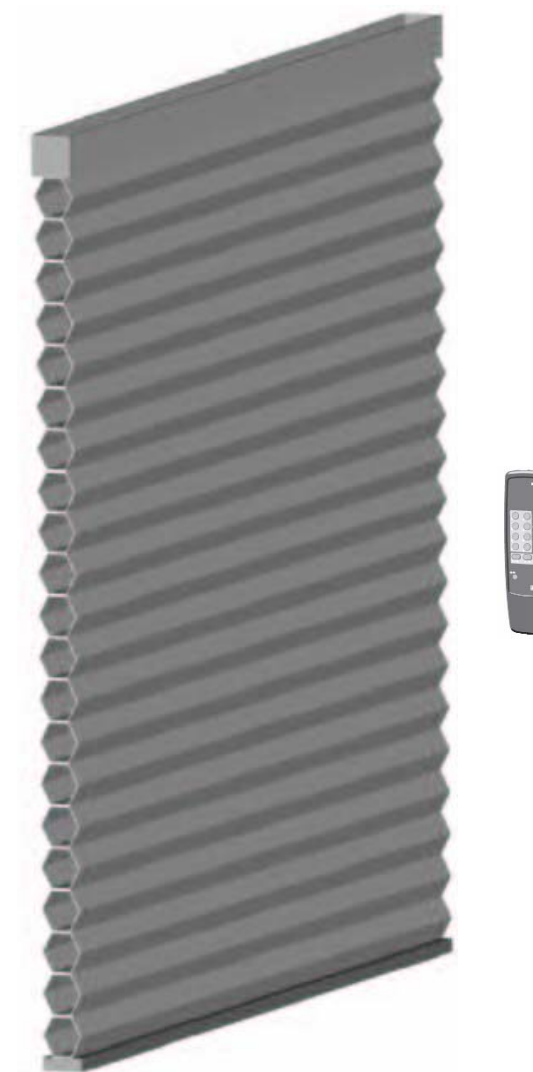


8 Care and Cleaning

- A light sweep with your vacuum cleaner brush attachment will keep the shade dust-free.
- For more thorough cleaning, the entire shade assembly may be gently wiped with a soft damp cloth using lukewarm water.
- Professional ultrasonic cleaning is another option except for shades made with opaque fabrics.
- Special care is needed when handling opaque fabrics in order to avoid creasing.
- Do not immerse opaque fabrics in water.
- Only mild cleaning solutions should be used for opaque fabrics.

9 Troubleshooting

Problem	Solution
The shade does not move.	Check the wires for proper connections.
	Check the transmitter batteries.
	Check for excessive bright lighting.
Up and down directions are reversed when using the transmitter.	Review operating instructions.
	Reverse the motor wires.



**Installation and Care Instructions
For
Parasol™ Elektrum Motorized
Shades**